

Fairy Light Bulb



PLEASE SCAN THE QR CODE FOR VIEWING MULTI-LANGUAGE INSTRUCTIONS.

FR. Veuillez scanner le code QR pour afficher les instructions multilingues pour ce kit. DE. Bitte scannen den QR-Code, um die mehrsprachige Anleitung für dieses Set anzusehen. NL. Scan de QR-code om de instructies voor deze set in verschillende talen te bekijken. IT. Scansiona il codice QR per visualizzare le istruzioni multi-lingua per questo kit. ES. Escanee el código QR para ver instrucciones en varios idiomas para este kit. JA. QRコードをスキャンして、本キットの多言語説明書をご覧ください。

WARNING:
CHOKING HAZARD - Small parts.
Not for Children under 3 years.

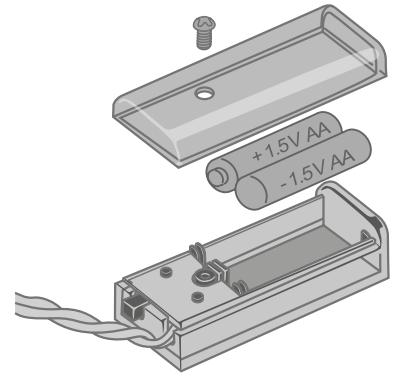
A. SAFETY MESSAGES

1. Please read these instructions carefully before using the product, follow them and keep them for reference.
2. Adult assistance and supervision are required at all times.
3. This kit is intended for children over the age of 5.
4. This kit and its finished product contain small parts which may cause choking if misused. Keep away from children under 3 years old.
5. To prevent possible short circuits, keep the metal wire ends inside the battery case a way from any metal objects.
6. Only install batteries after you have assembled the product. Adult supervision is required.
7. Wash hands thoroughly after using glitter or glue.
8. Handle glitter with care. Avoid contact with eyes and do not inhale.

B. USE OF BATTERIES

1. The product requires two 1.5V AA batteries (not included).
2. For best results, always use fresh batteries.
3. Make sure you insert the batteries with the correct polarities.
4. Remove the batteries from the kit when not in use.
5. Replace exhausted batteries straight away to avoid possible damage to the kit.
6. Rechargeable batteries must be removed from the kit before recharging.
7. Rechargeable batteries should be recharged under adult supervision.
8. Make sure that the supply terminals in the battery case are not short circuited.
9. Do not attempt to recharge non-rechargeable batteries.
10. Do not mix old and new batteries.
11. Do not mix alkaline, standard (carbon-zinc), or rechargeable batteries
12. Unscrew the battery case cover to replace the battery. Adult supervision is required.

Insert 2 x 1.5V AA batteries into the battery compartment. Ensure that the batteries are inserted in the correct direction (the flat end of the battery always goes against the spring). Adult supervision is required.

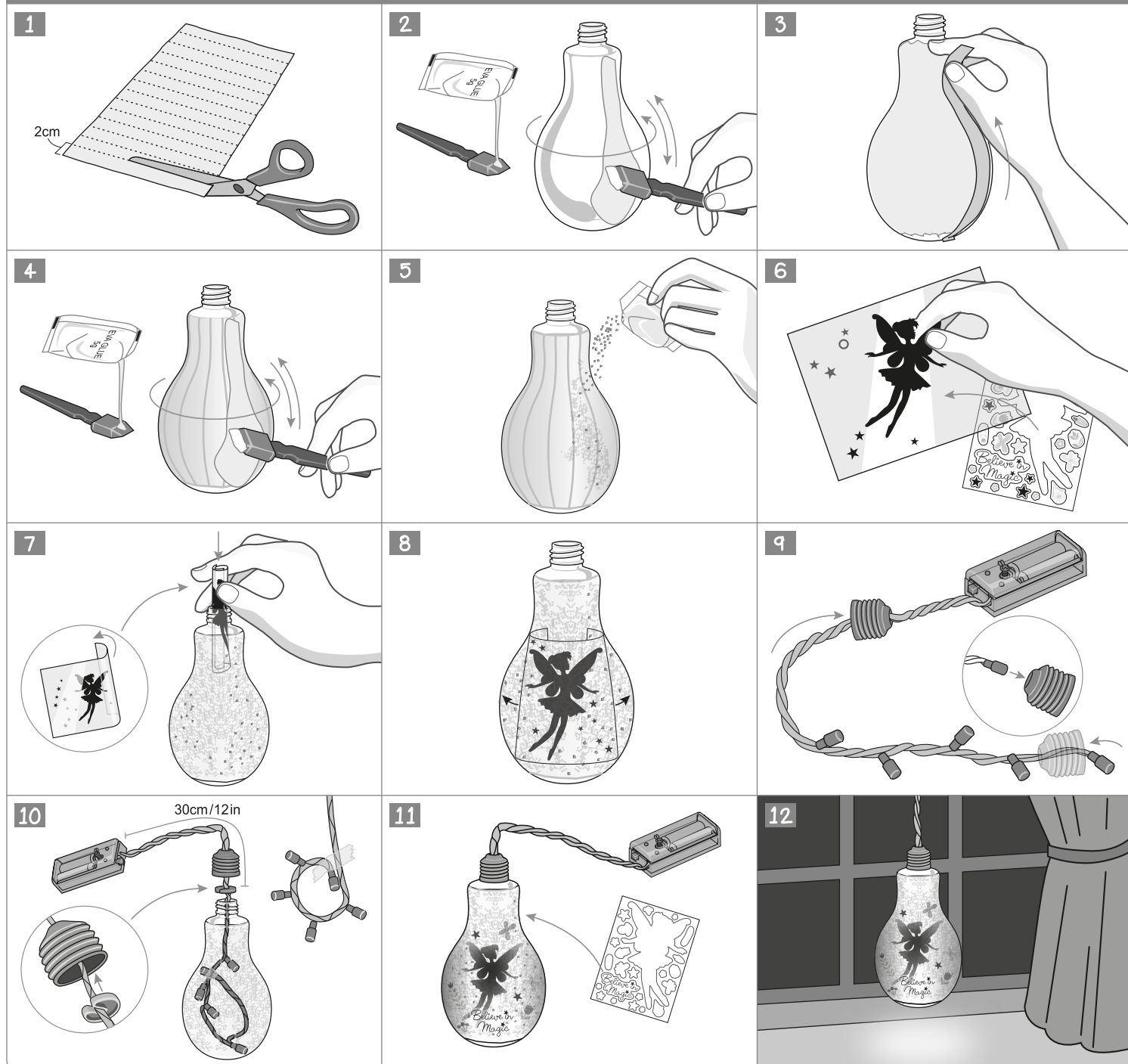


C. CONTENTS

String lights with 5 light bulbs x 1, light bulb bottle x 1, light bulb cover x 1, plastic clip x 1, A4 soft art papers x 2, sticker x 1, transparent film x 1, glitter pack x 2, glue x 1, sponge brush and detailed instructions. (Also required but not included in this kit: a small crosshead screwdriver, 2 x 1.5V AA batteries and a pair of scissors. Adult supervision is required.)

QUESTION AND COMMENTS: We value you as a customer and your satisfaction with this product is important to us. If you have comments or questions, or you find any part of this kit missing or defective, please do not hesitate to contact our distributor in your country. You will find the address printed on the package. You are also welcome to contact our Marketing Support Team: Email: infodesk@4m-ind.com, Fax (852) 25911566, Tel: (852) 28936241, Web site: WWW.4M-IND.COM

D. INSTRUCTIONS



1. Cut the art paper into 2cm wide strips. (Scissors are required but not included, adult supervision required.)
2. Use the sponge brush provided to apply a layer of glue on the surface of the light bulb bottle.
3. Stick the art paper strips on the light bulb bottle from bottom to top as shown, ensuring that you cover the entire surface of the bottle.
4. Apply another thin layer of glue on top of the light bulb bottle.
5. Sprinkle the glitter powder onto the glued area and let the glue dry.
6. Take the fairy silhouette from the sticker sheet and apply it to the centre of the transparent film.
7. Roll up the transparent film and put it into the bottle.
8. Let the transparent film expand inside the bottle. Adjust the film position so that the fairy silhouette is located at the centre of the bulb (you may use a stick or pencil for this purpose).
9. Insert the light string into the light bulb cover.
10. Secure the plastic clip to the electric wire string 30cm/12in from the battery case. Wire the light string as a loop and secure it with tape. Put the looped light string into the light bulb bottle. Adjust the position of the light bulbs if required, so that most of the lights are evenly located at the centre.
11. Decorate the bottle surface with the stickers provided.
12. Your fantastic fairy light bulb is now ready! Hang it in your bedroom and use it as a decoration or a nightlight. At night, turn the lights on by the sliding the ON/OFF switch on the battery case. Let your imagination run wild and watch your fairy come alive with the changing colours.

* Troubleshooting: If your fairy light bulb does not turn on, check if the batteries are inserted in the correct polarities.